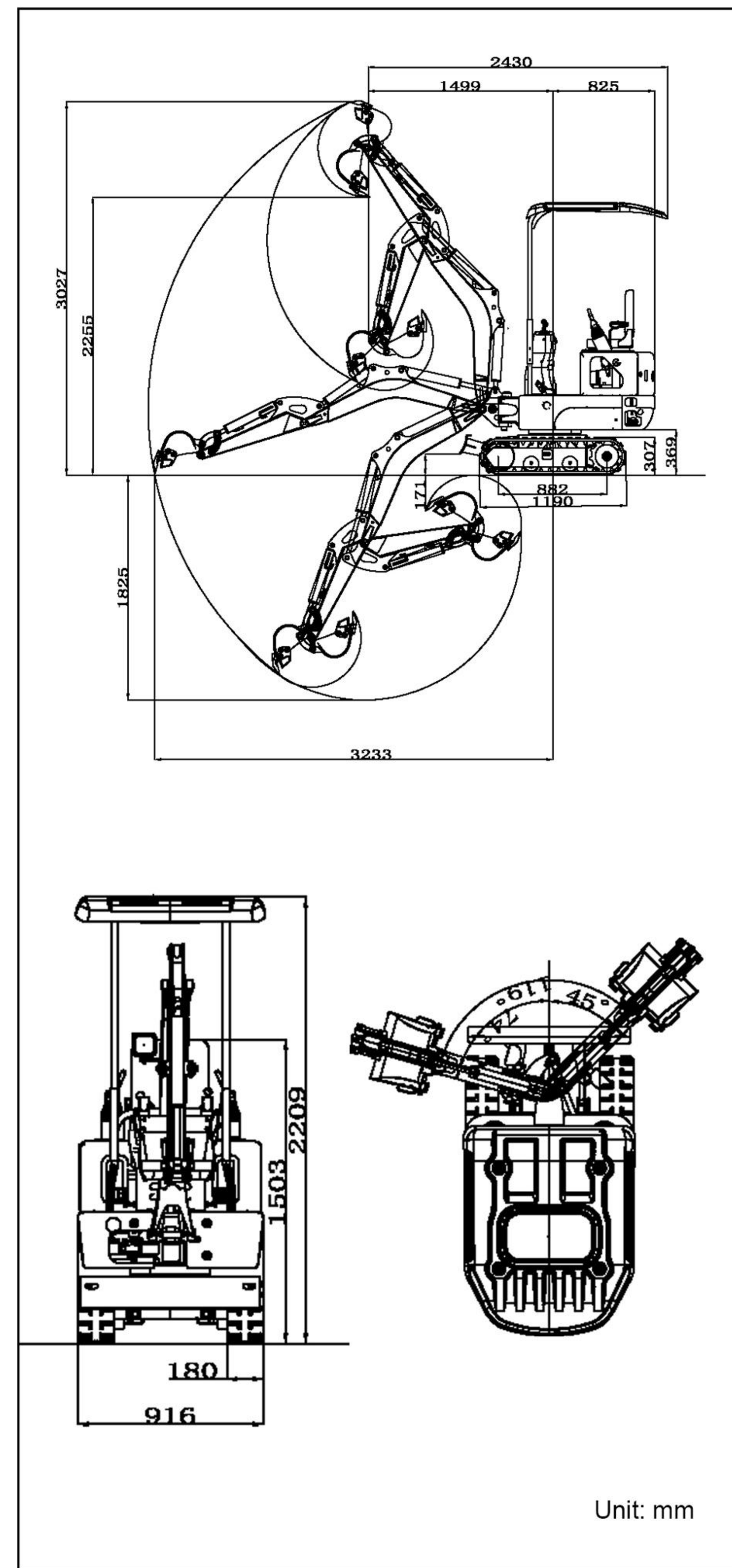


■ SCOPE OF WORK



■ SPECIFICATION

	Model	US	R10 ECO
Basic parameters	Machine working weight	2789lb	1000kg
	Bucket capacity	0.49ft³	0.014m³
	Travel speed low/high speed	0-0.93mph	0-1.5km/h
	Gradeability	30%	30%
	Ground pressure	25.53Kpa	25.53Kpa
	Maximum digging force	9.2kN	9.2kN
	Maximum digging radius	127.3in	3233mm
	Maximum digging depth	72.2in	1833mm
	Maximum digging height	118.9in	3021mm
	Maximum unloading height	88.5in	2247mm
Maximum deflection angle		121°	
Track extension range	35.9-47.7in	912-1212mm	
Engine	Engine brand	Kubota	Kubota
	Engine model	Z482	Z482
	Maximum horsepower	11hp	11.23ps
	Maximum power	8.2kw	8.2kw
	Maximum speed	3000rpm	3000rpm
	Displacement	0.13gal	0.479L
	Number of cylinders	2	2
	Cooling method	Water-cooled	Water-cooled
	Engine oil change amount	0.32gal	1.2L
	Fuel form	Diesel	Diesel
Fuel grade	0/-10	0/-10	
Theoretical fuel consumption	0.21-0.32gal	0.8-1.2L/h	
Body	Transport length	95.7in	2430mm
	Transport width	35.9in	912mm
	Transport height	86.7in	2201mm
	Counterweight ground clearance	14.2in	361mm
	Bucket width	11.8in	300mm
	Boom length	58.1in	1477mm
	Arm length	31.5in	800mm
	Bulldozer blade width	34.8in	885mm

■ HYDRAULIC SYSTEM

Main pump type/model	306	Maximum set pressure (Mpa)	20MPa
Main pump brand	Tianjin Walking/Shengjie	Travel hydraulic motor type	BM6-315
Main pump maximum flow (L/min)	18L/min	Travel motor brand	Paiyi/Zhenjiang Dali
Multi-way valve	2+2+5 joints	Motor displacement	315
Multi-way valve brand	Tengfei	Slewing hydraulic motor type	BM2-315
Rated set pressure (Mpa)	18MPa	Displacement	315

- Please read the instruction manual carefully and use the machine correctly.
- Always wear a seat belt when working. (ROPS specifications only)
- If you are operating construction machinery with a machine mass of less than 3 tons, you must take the "Special Training for Vehicle-Mounted Construction Machinery Operation" course beforehand. If the machine mass is 3 tons or more, you must take the "Vehicle-Mounted Construction Machinery Operation Skills Course".
- To prevent breakdowns and accidents, be sure to inspect the machinery regularly.
- Specific voluntary inspections are required to be carried out by an inspection company registered with the Minister of Health, Labor and Welfare or the Director-General of the Labor Standards Inspection Bureau.



MINI EXCAVATOR

R10 ECO



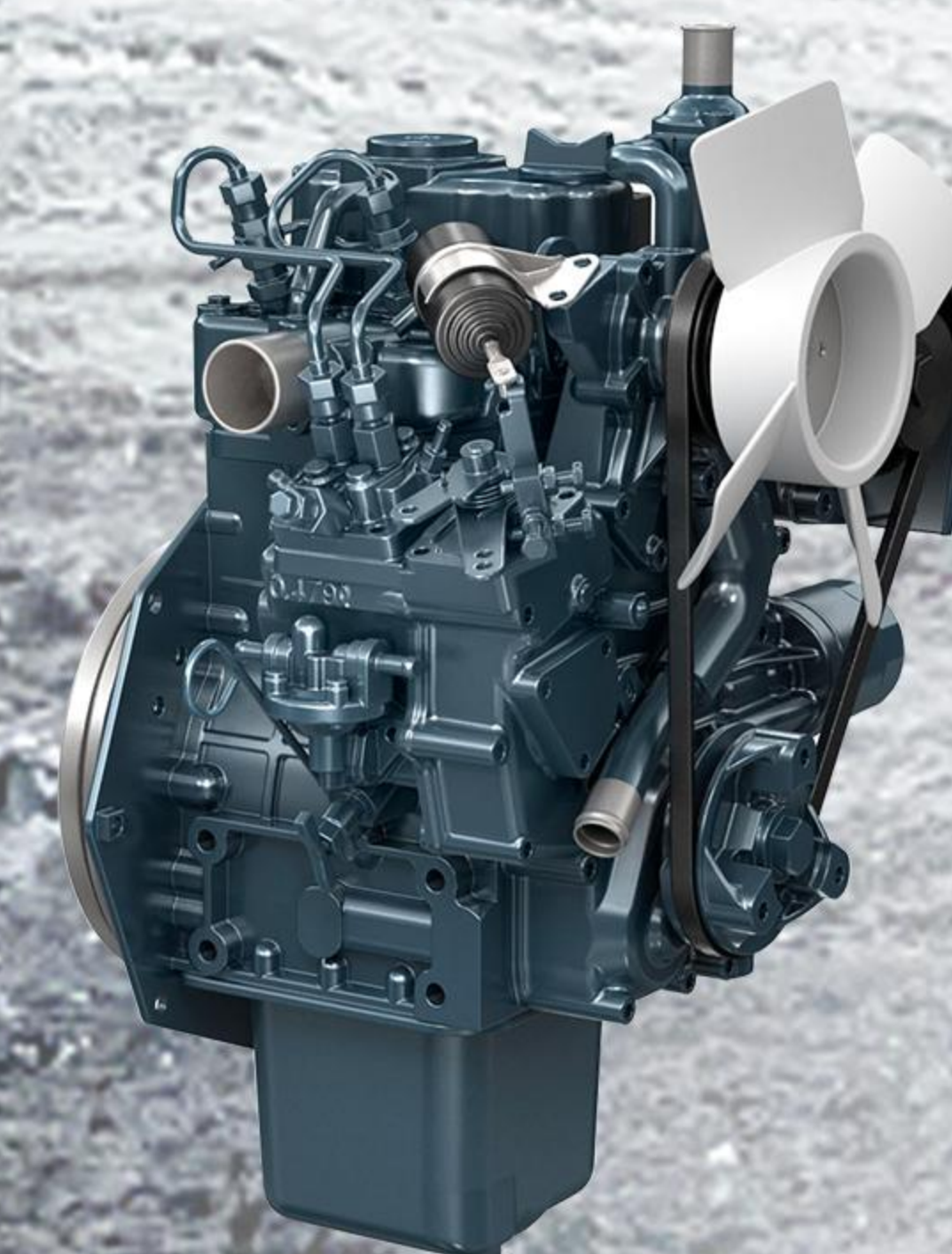
Ultra compact dimensions superb operator protection minimal tail swing everything you need to get the job done

There's a lot to like about RIPPA's new ultra-compact excavators. They're so compact you can easily work safely in tight spots. They also have an improved control layout*, and upgraded comfort features to keep you working efficiently and comfortably. Best of all, you can depend on these RIPPA ultra-compact excavators to get the job done with speed and efficiency.



SIDE LEVER LAYOUT

The control levers of the RIO ECO are positioned to the sides of the seat for a better, more relaxed operator working posture and excellent forward visibility.



RIPPA ULTRA-COMPACT EXCAVATORS



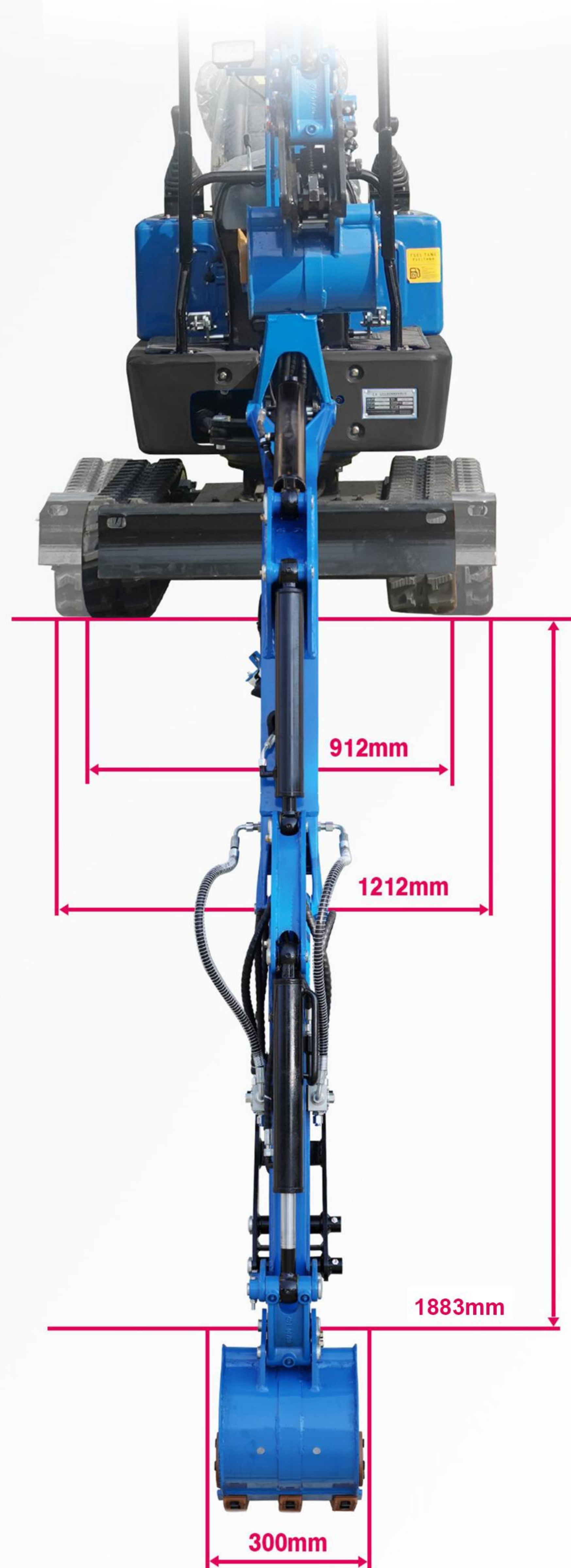
Engine gross horsepower (z482): 11 HP (8.2kW)

Maximum digging force : 9.2 KN

Operating weight**: 1000 kg

PERFORMANCE / SAFETY

From an adjustable track gauge and two-speed travel pedal to Engine Safety Start and a new boom-mounted LED work light, this ultra-compact excavator is designed for maximum performance and safety.



1 Adjustable Track Gauge

The R10 eco hydraulically adjustable track gauge can be narrowed down to 912mm in seconds with a simple single lever operation to allow navigation in tight spaces. Conversely, you can widen the track gauge all the way up to 1212mm. Its quick-fold blade adjusts to size instantly with the simple pull of a pin. When adjusted down, these ultra-compact excavators can easily fit through most doorways, allowing access inside buildings.



2 Digging Range

The subcompact excavator excels at digging, with a surprisingly wide working and digging range for such a small excavator.



3 Large-capacity bucket

Large-capacity bucket can load more materials. The bucket is strong and durable, which greatly improves the working efficiency.



4 New cast drive wheel

The new casting drive wheel, the hemispherical structure disperses the stress concentration, and has a longer service life.



5 Removable cab roof

The four-post roof is equipped with a rollover protection structure to provide basic safety protection for the operator and reduce the damage caused by falling objects to the operator.



6 Foot pedal

The foot pedal is set to facilitate the side swing and extension of the excavator, freeing the driver's hands and improving work efficiency.



7 Pilot operation

The unload lever enhances work safety by preventing unintended operation of the front attachment, dozer, AUX, swiveling, or traveling when the machine is in locked position.

8 The three-way stop valve

The three-way stop valve can easily switch the flow direction of the hydraulic oil, ensuring that the hydraulic system can quickly adapt to new operating requirements.



Comfortable and safe driving experience



1 ACTION BUTTON

The operation buttons are centralized and concise, which is convenient for the driver to operate. They are equipped with safety lock and lighting functions, which meet the basic operation needs of the operator and effectively improve work efficiency.



4 CENTRALIZED CONTROL

Integrating the travel and operating levers into one control system allows the operator to control the excavator's travel and working devices at the same time, reducing the need to frequently switch operating handles, making operation easier and more efficient.

2 POWER SWITCH

When the excavator is not in use or idle, the operator can cut off the power supply to the equipment through the power switch to avoid energy waste, help the equipment save energy and reduce operating costs



3 COMFORTABLE SEATS

Adjustable seat, ergonomically designed to support the operator's back, waist and neck, reducing fatigue caused by long-term operation.



5 DASHBOARD

The function area is centralized and the dashboard is set up to facilitate the operator to control the basic status of the vehicle in real time.



SERVICE

The rear opening hood provides easy access to the engine, and maintenance is simple with the hydraulic service port plumbing conveniently located and protected.

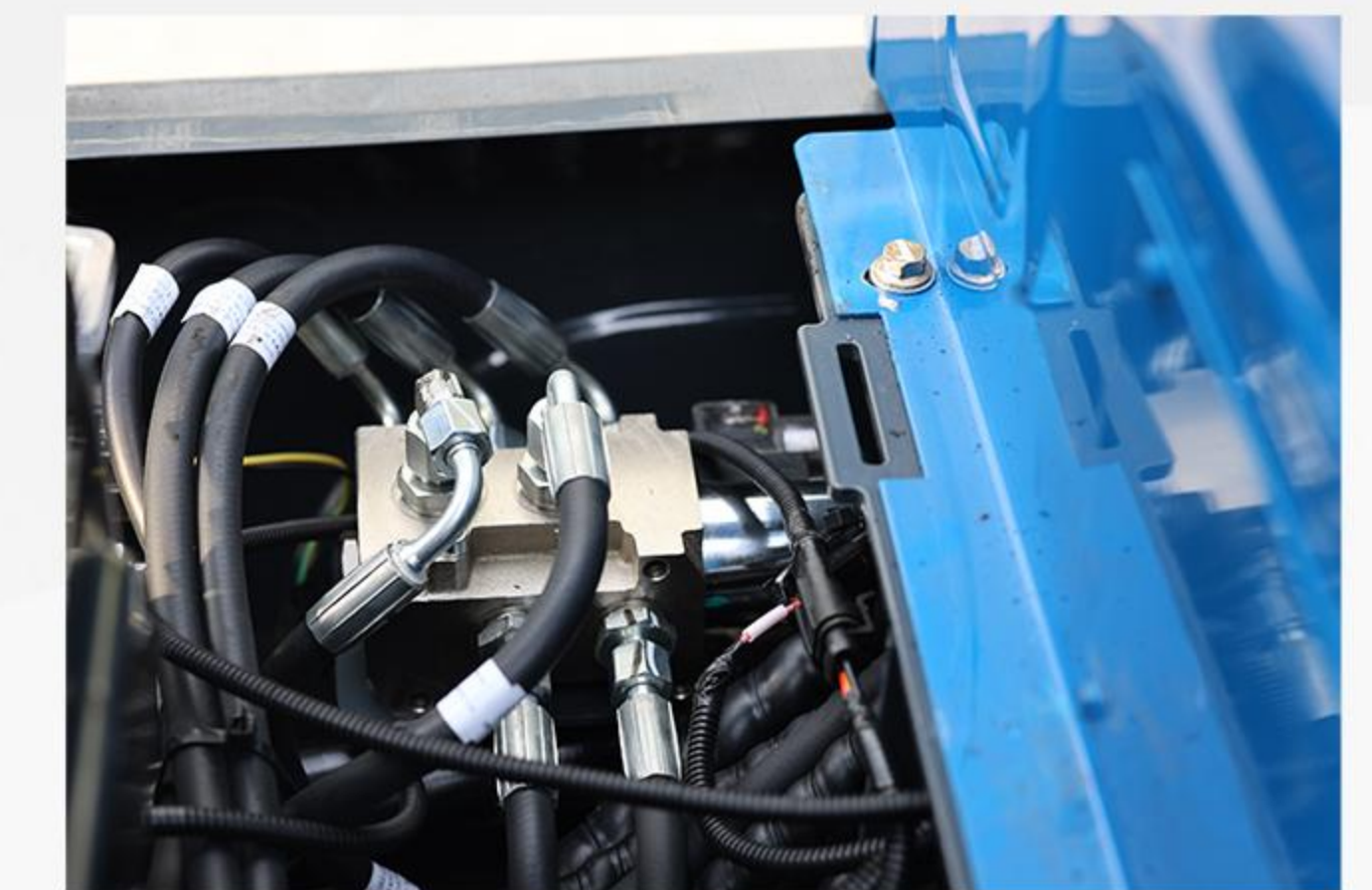
ENGINE COVER

The rear-opening operator seat on the hood can be flipped up to reveal a large portion of the engine, allowing easier access to components.



OIL CIRCUIT MAINTENANCE

A manually openable cover is specially set at the foot pedal, so that when checking the oil circuit and the line, it will be handy and efficient, which provides great convenience for subsequent maintenance and inspection work.



EQUIPMENT WARNING LIGHTS

Prompt failure: When the excavator fails or has an abnormal condition, the alarm light will light up to prompt the operator to check the equipment immediately, such as hydraulic system, engine failure, abnormal oil pressure, etc.



WE ARE RIPPA

Shandong Rippa Machinery Group Co., Ltd. is located in the Sixth Industrial Park, Jining high tech Zone, Shandong Province. It is a state-level high-tech enterprise with the right to import and export;

The company's staff are vigorous and enterprising, and constantly create the legend and glory of the school!



Shandong Rippa Machinery Group Co., Ltd.

Add: No.6 Industrial Park, Chongwen Avenue 2166, Gaoxin District, Jining City, Shandong Province

Some specifications are based on engineering measurements and may deviate from actual conditions. Specifications are for comparison purposes only and are subject to change without notice. Specifications of individual Rippa equipment will vary based on normal variations in design, manufacturing, operating conditions and other factors. Some pictures of Rippa equipment are not limited to standard packages.



<https://www.rippa.com>